

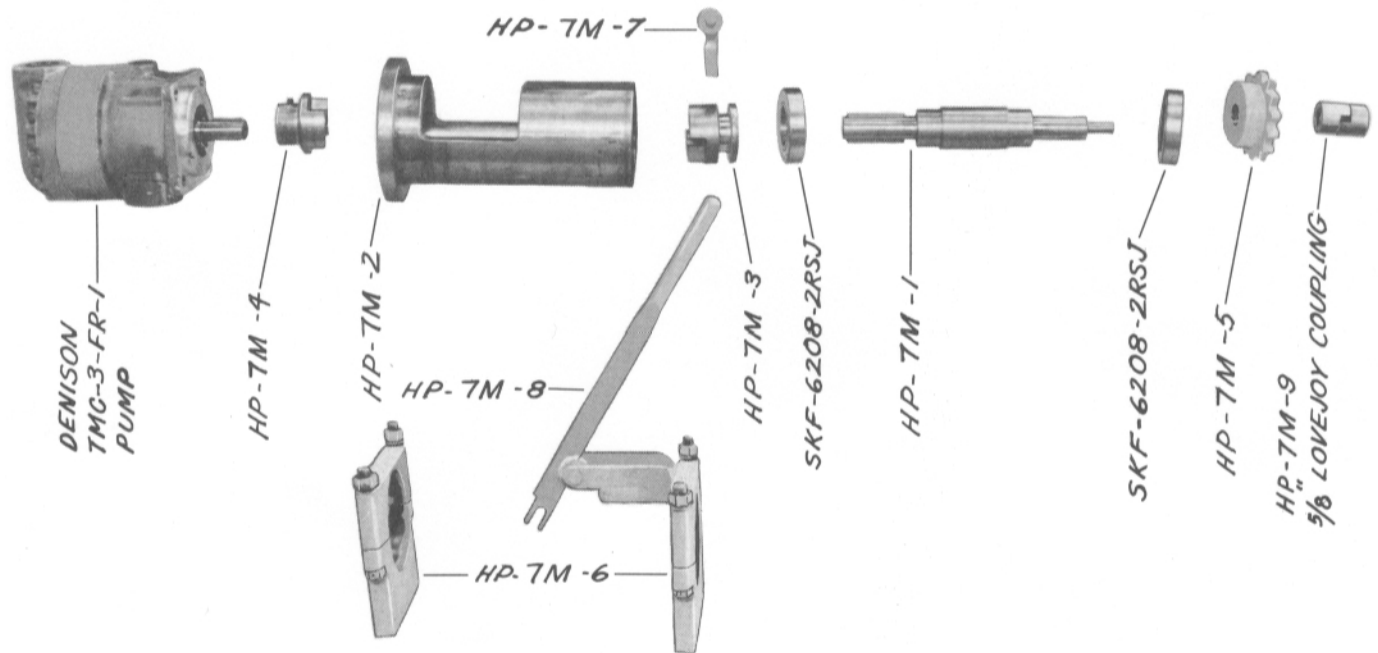
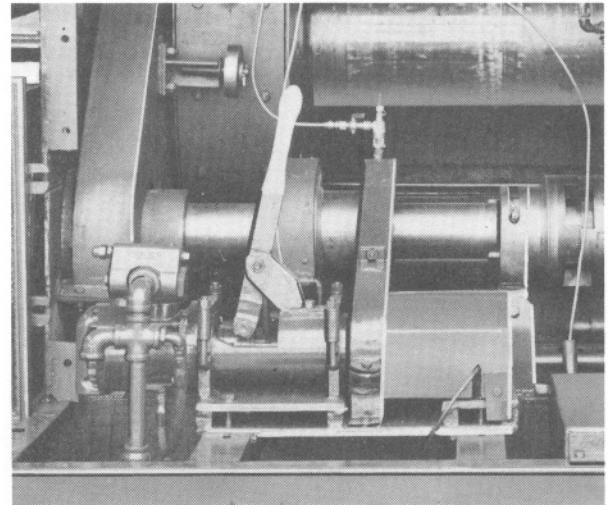
PARTS LIST

HYDRAULIC PUMP

ASSEMBLY

SPENCER DRAW WORKS,

MODEL 7000



This pump assembly system also uses a Brown & Sharp #2 Pump for lubrication.

| Part No. | Description | No. Req'd |
|-----------|----------------------------------|-----------|
| HP-7M-A | Complete Hydraulic Pump Assembly | |
| HP-7M-1 | Shaft | 1 |
| HP-7M-2 | Housing | 1 |
| HP-7M-3 | Sliding Clutch | 1 |
| HP-7M-4 | Stationary Clutch | 1 |
| HP-7M-5 | Sprocket 15 T- 3/ P Single | 1 |
| HP-7M-6 | Pillow Blocks | 2 |
| HP-7M-7 | Throw-Out Yoke | 1 |
| HP-7M-8 | Shifting Lever | 1 |
| HP-7M-9 | 5/8 Coupling | 1 |
| 6208-2RSJ | Bearing-SKF | 2 |
| TMC-3FR-1 | Denison Hydraulic Pump | 1 |

FOR REFERENCE ONLY

For **SPENCER-HARRIS** Parts

Call **1-870-234-3264**

Magnolia, Arkansas